

LEGEND

KIDDE P/N	REF DWGS
1-300 LB CYLINDER FILLED WITH 312 LBS HALON 1301	897793 K-2020
1-40 LB CYLINDER FILLED WITH 35 LBS HALON 1301	896995 K-2120
2-3/8" FLEX LOOP	844226 K-3030
2-LEVER CONTROL HEAD	870652 K-4010
2-LEVER/PRESSURE CONTROL HEAD	870897 K-3150
2-CABLE CONTROL HEAD	879469 K-4020
2-PULL BOX, STD.	871403 K-4040
2-AR-CORNER PULLEY	803808 K-4080
2-AR-1/4" CABLE	1590-0002 ~
2-PRESSURE SWITCH, STD	873752 L-615410
2-SIREN	981574 K-3200
2-ALARM NAMEPLATE	218270 ~
2-DISCHARGE DELAY	872634 K-3190
2-DISCHARGE INDICATOR	875553 K-3110
2-SAFETY OUTLET	844346 K-3120
3-NAMEPLATE, WARNING	281188 ~
2-1/2" STOP VALVE	870023 K-3070
1-3/4" STOP VALVE	870022 L-86293
1-2" STOP VALVE	870049 K-3070
1-DISCHARGE LOOP	251821 L-70025
1-DISCHARGE HEAD	872450 ~
2-PULL BOX, W.T.	870057 L-981012
1-PNEUMATIC CONTROL HEAD, 6"-5 SEC	872365 K-5010
1-PNEUMATIC CONTROL HEAD, 1"-40 SEC	872318 K-5010
1-PNEUMATIC TRANSMITTER	890251 L-86294
1-HEAT DETECTOR	841241 ~
1-3/16" TUBING, 12' LONG	802486 K-5060
1-3/16" TUBING, 3' LONG	802587 K-5060
2-CYL STRAP, 300 LB CYL	281866 ~
2-CYL STRAP, 40 LB CYL	270014 ~
1-FAN NOZZLE, (1-094), 1/4" NPT	29473471 K-2140
1-FAN NOZZLE, (.302), 3/4" NPT	29473226 K-2140

OFFICE COPY
00084

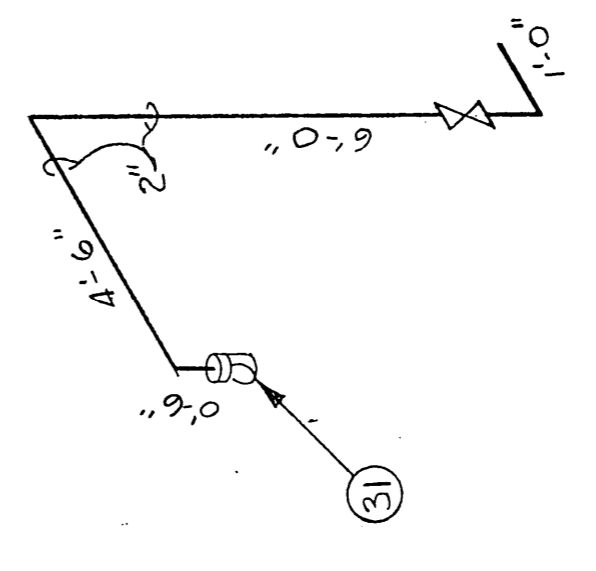
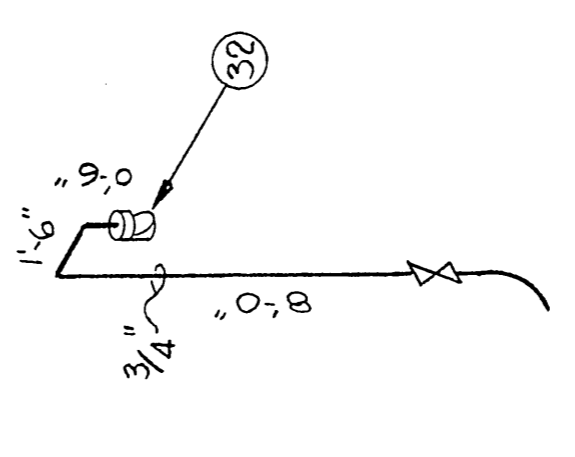
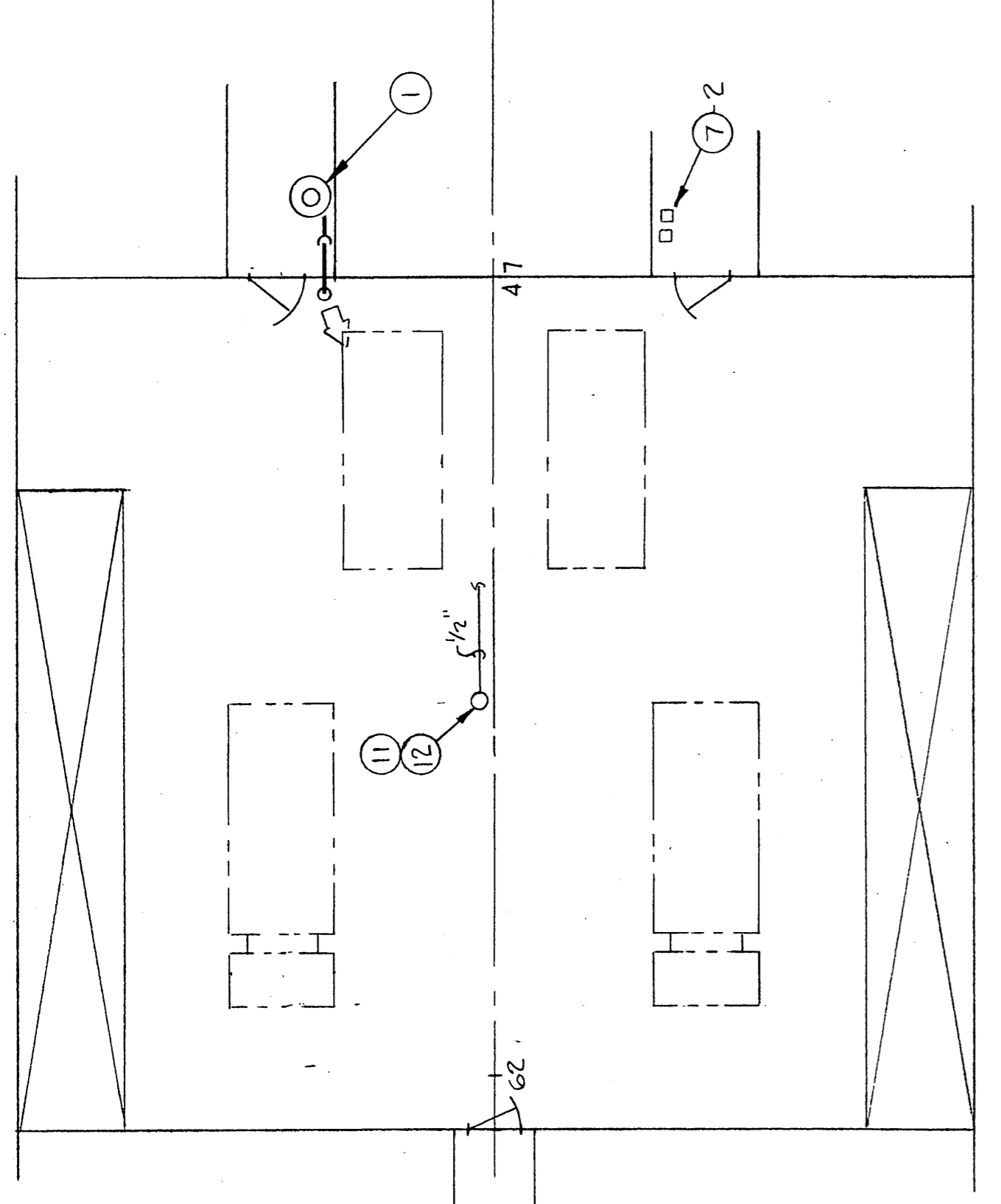
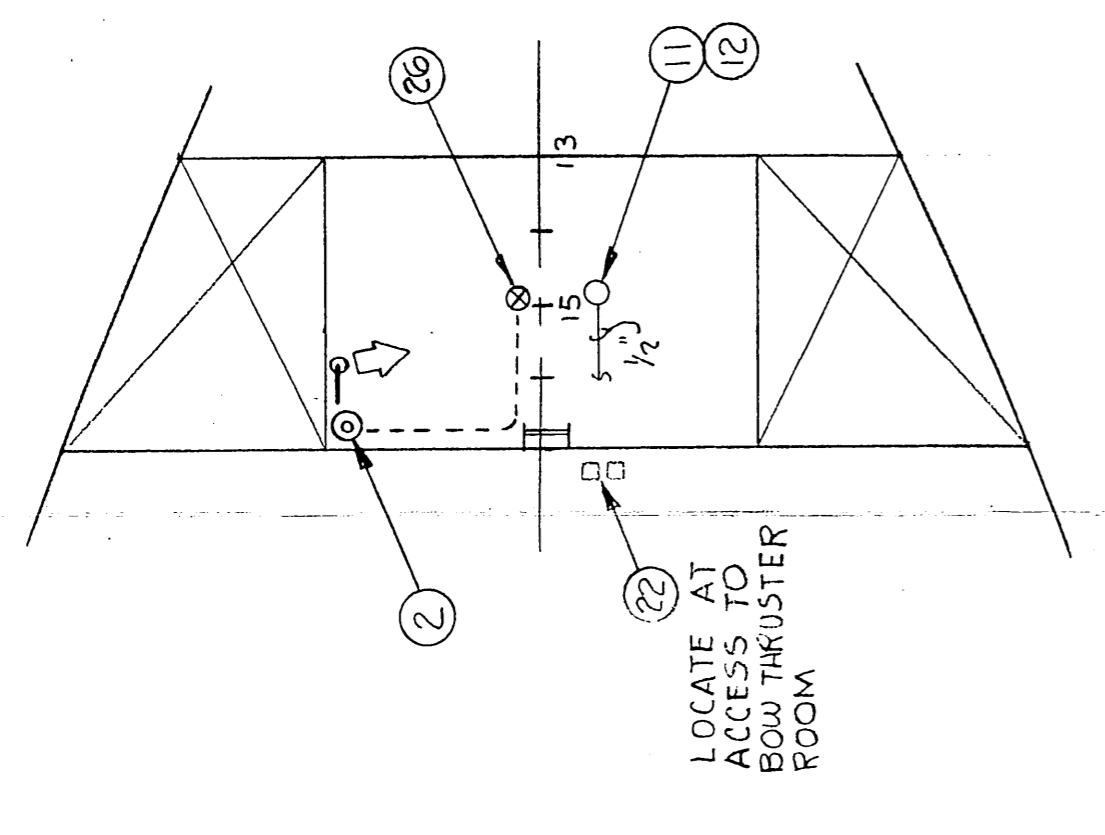
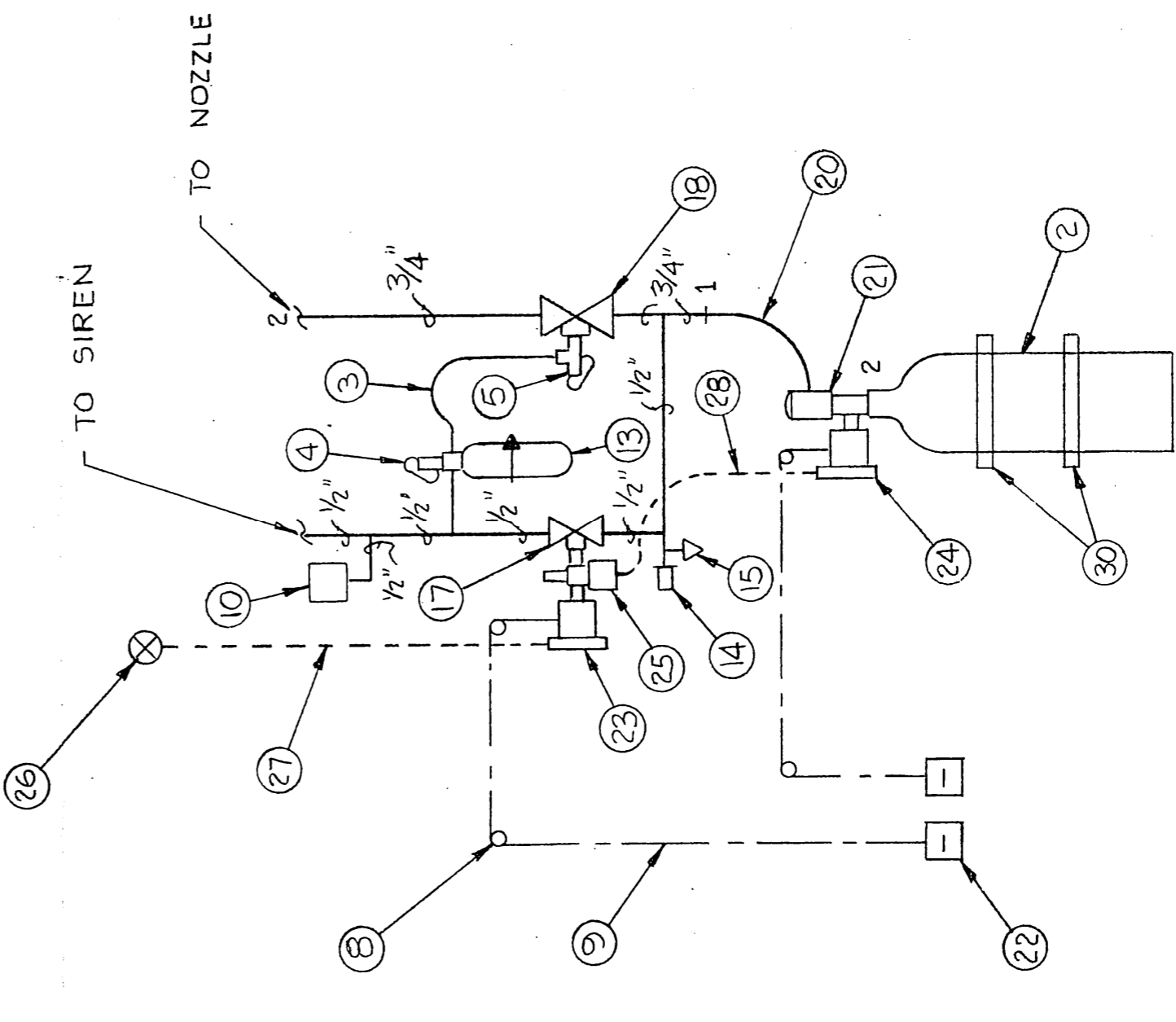
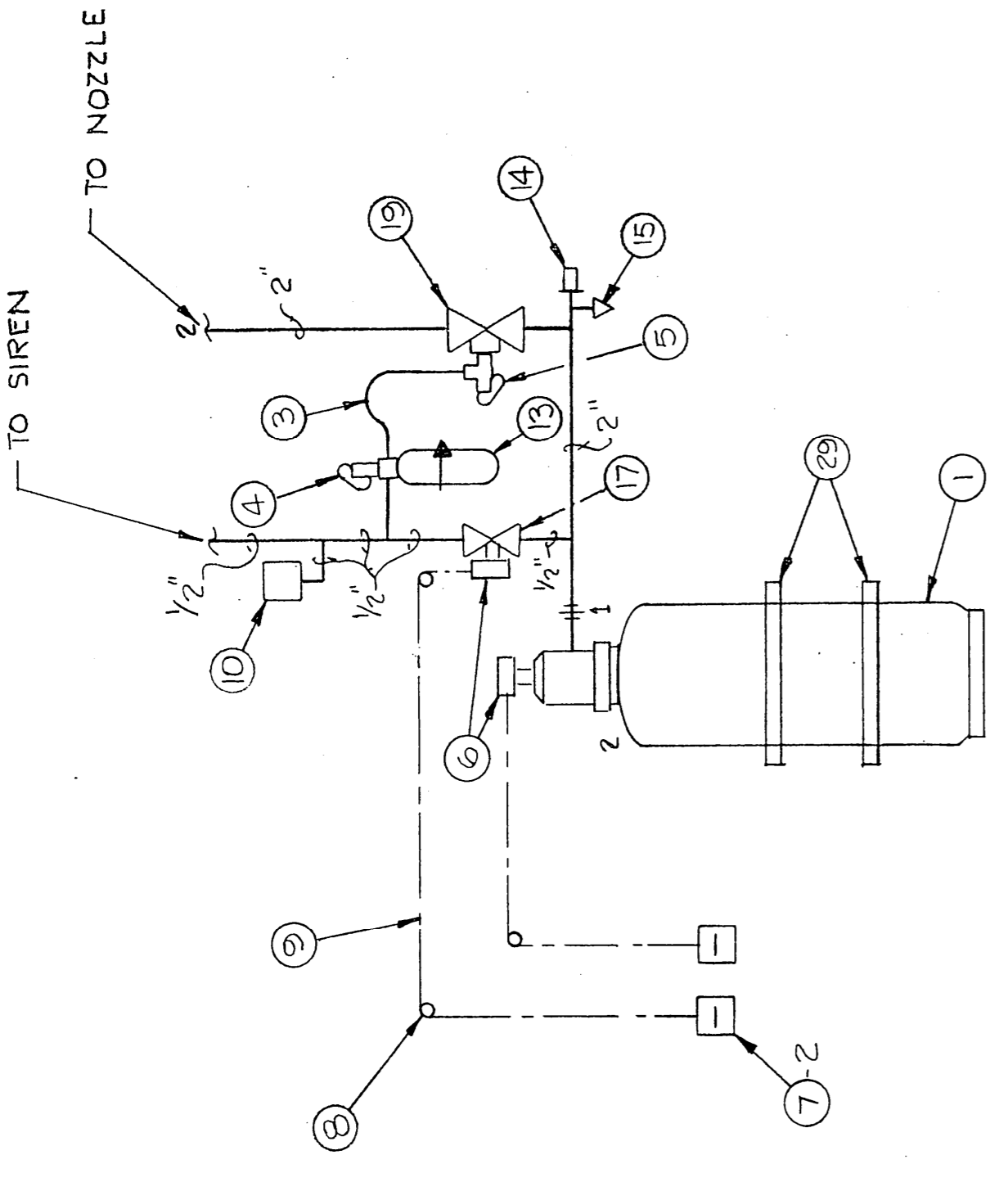
CM85508

ISSUED ON
FIRE PROTECTION SYSTEMS
WALTER KIDDE
Division of Kidde, Inc.
875 Main St., Belleville, N.J. 07109

DIAGRAMMATIC PIPING LAYOUT
HALON 1301 SYSTEM
ENGINE & BOW THRUSTER RM.
OCEANOGRAPHIC RESEARCH SHIP
FIRE PROTECTION SERVICE, INC
TEXAS MARINE

MARK	CHG	REV	SCALE	DATE	BY	NOTED
RF		02		1-24-83		

DATE 1-24-83 REV. L-672845- GYRE171



- NOTES - Circled notes apply**
- All pipe and fittings are to be of proper type and weights.
 - Installed piping to be pressure tested to 1 1/2 times design pressure.
 - Protect all pipe against possible damage.
 - Make provisions for expansion of pipe wherever necessary.
 - 1/16" control cable to be led in 3/8" std. wt. brass pipe wherever exposed to weather using watertight corner pulleys.
 - Standard corner pulleys shall be used. No steel pipe and standard corner pulleys may be used. No bends or offsets permitted in control lines.
 - Hang all pipe, manifolds and control lines securely.
 - Cylinder location suitably ventilated to prevent a temperature in excess of 130 degrees F.
 - Cylinder foundation (see detail) to be 1500 lbs and designed for 15. Cylinder, 300 lbs. per 200 lb. cylinder, 250 lbs. per 425 lb. cylinder.
 - Control stations to be suitably illuminated by yard.
 - Install dirt trap at least 2' beyond last nozzle in each direction.
 - Mechanical ventilation shut down on operation of system through pressure operated switch.
 - Pressure switch(es) wiring for ventilation shut down, by installer.
 - Pressure switch(es) must be manually reset before ventilation, etc. can be restarted.
 - Install heat actuators per Drawing L-6800.
 - Pressure Test Pneumatic System per Drawing L-83423.
 - Provide union above and below valve to facilitate removal or repair.
 - Locate pressure operated alarm system centrally.
 - Cylinder hose reel systems with feet of 1/2" hose to be installed in accordance with Drawing L-83423.
 - Nozzles to be located within 18' of overhead.
 - Halon calculations on separate sheets.
 - Diesel engines which receive intake air from within protected space must be shut down prior to Halon discharge. Shut down must be 456 class.
 - Shut down must be 456 class.

PIPING SPECIFICATIONS
Ferrous Piping (Classless) galvanized steel pipe - ASTM A-53 or A-106, ANSI B-36.10
Schedule 40 steel pipe up to 4" nominal pipe size conforming to the above specifications is satisfactory for both the 300 and 425 lb. cylinders. Ordinary cast iron pipe or steel pipe conforming to ASTM A-120 shall not be used.

FITTING SPECIFICATIONS
Malleable iron, 300 lb. class only - ASTM A-197
Ductile iron, 300 lb. class only - ASTM A-395
Ordinary cast iron fittings shall not be used.

All threads used in joints and fittings shall conform to the above specifications. Fittings shall be applied only to the male thread of the joint. Fittings up to over 2" pipe size shall be welded.